

# Three Phase Solar On Grid Inverter

## TP™ 15KTL



### Features:

- Compatible with bifacial and high wattage panels(500W+).
- Transformerless with the three level topology.
- Max. efficiency up to 98.6%.
- Dual MPPT inputs accommodating wide voltage range.
- 17A dual MPPT for 5KTL and 10KTL.
- Compact structure design.
- 6 inches super big LCD display.

### Flexibility:

- Indoors and outdoors usage (IP65).
- Easy installation and maintenance free.
- Rs485 & WIFI communication.
- Multi-lingual display with large LCD screen.

### Reliability:

- Reliable protection for over/under voltage, anti-islanding, short circuit, overload, etc.
- Inbuilt type II AC/DC SPDs
- 5-years quality warranty extends to 20-years(optional).

### Certificates:

CQC, VDE-AR-N4105M VDE0126-1, IEC 62109 -1, As4777, IEC 62109 -2, IEC 61683, IEC 62116, IEC 61727, ISO/IEC 17065, ISO/IEC 17020

# 5G EVOLUTION

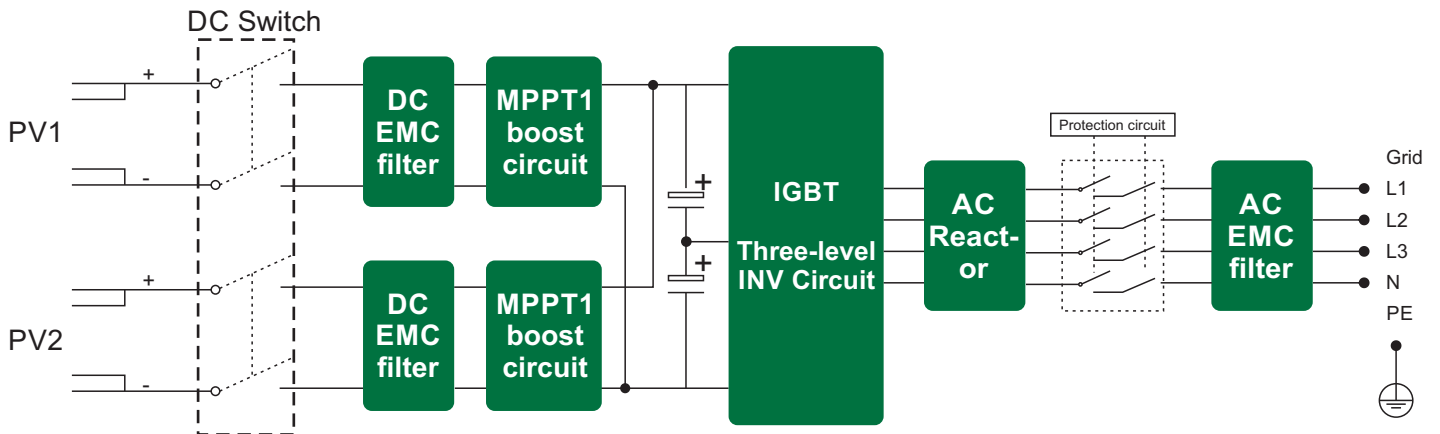


## TP Series

Three Phase On grid Series provide string inverters with the best invention patented topology globally, also, we can customize, which provide more optional choices for PV power systems.

TP series has been proved to be outstanding for its features like leading edge efficiency, high cost-effective, modern appearance, friendly interface, and ultra-long quality warranty, etc.

## Diagram



RS485/WIFI ( Opt.)

LCD display

# THREE PHASE PV ON-GRID INVERTER

## Technical Data

### TP15KTL



MODEL	TP15KTL
<b>Input(DC)</b>	
Max DC power	16500 W
Max DC voltage	1000 Vd.c.
Min working voltage	250 Vd.c.
MPPT voltage range	250...850 Vd.c.
Max input current/per string	20Ax2
Number of MPP trackers	2
Number of input string	3
<b>Output(AC)</b>	
AC nominal power (W)	15000
Max AC apparent power(VA)	16500
Max output current(A)	23
Nominal AC output	50/60 Hz ; 400 Vac
AC output range	45/55 Hz ; 280~490 Vac (Adj)
Power factor	0.8leading ... 0.8laging
Harmonics	<1.5%
Grid type	3W/N/PE
<b>Efficiency</b>	
Max efficiency	98.5%
Euro efficiency	98.0%
MPPT efficiency	99.9%
<b>Safety and protection</b>	
DC reverse-polarity protection	YES
DC breaker	YES
DC/AC SPD	YES
Leakage current protection	YES
Insulation Impedance Detection	YES
Residual Current protection	YES
Anti Islanding Protection	YES
<b>General Data</b>	
Dimensions(W/H/D)	510/484/271.5mm
Weight	35kg
Operating temperature range	-25 °C ... +60 °C
Degree of protection	IP65
Cooling concept	Natural convection
Topology	Transformerless
Display	LCD
Humidity	0-95% ,no condensation
Communication:RS485/WIFI / WIFI APP	YES / YES / YES
Warranty:5/10/20 years	Yes/Opt./Opt.
<b>Certificates and Approvals</b>	

CQC, VDE-AR-N4105M VDE0126-1, IEC 62109 -1, AS4777, IEC 62109 -2, IEC 61683, IEC 62116, IEC 61727, ISO/IEC 17065, ISO/IEC 17020